

Ramams

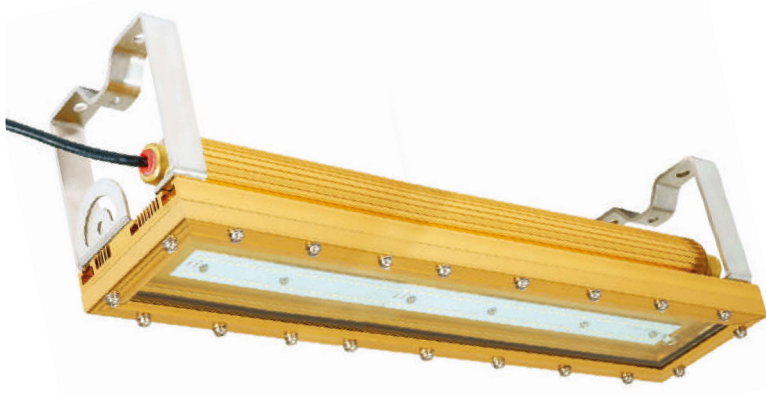
LED Explosion-proof Light



This Ramams Explosion-Proof LED Light is engineered for Class 1 Division 2 hazardous locations and high particulate areas such as granaries, mills, and mines, locations with gasoline vapors like gas stations, airplane hangars, or auto shops, and environments where petrochemical vapors exist. The light fixture also meets ATEX Zone 1 and Zone 21 requirements in the EU for the likely conditions of combustible gas, mists, dust, and vapors. A vibration-resistant die cast aluminum housing prevents the release of sparks from internal components, and PHILIPS SMD3030 LEDs are protected by a tempered glass lens. LEDs in the waterproof LED flood light emit more Lumens of powerful illumination and produce a wide 120° beam pattern. This LED Explosion-Proof Light replaces metal-halide (MH) lights directly with comparable output and lasts 5 times longer. The LED fixture operates within a wide 100-277 VAC range. When mounting, a conduit must be used to maintain safety certifications. Can be directly pole mounted with conduit or mounted to a wall or ceiling using both bracket and conduit.

LED Explosion-proof Lighting

Benefits of LED Lighting



1. Energy saving. Reduce the number of luminaires you need, providing excellent efficacy-more light where you need it.
2. Anti-glare, reduces glare in applications where the user may have direct visual contact with the light source.
3. Shock- and vibration-resistant- tempered glass , reduces the risk of premature failure.
4. Driver module assembly -High efficiency LED drivers are designed to provide reliable operation in even the harshest environments.



Features:

- ▶ Instant illumination and restrike
- ▶ Better visibility with crisp, white light
- ▶ T6 temperature rating – safely operate in the most hazardous environments
- ▶ Cold temperature operation / no warm-up required
- ▶ Easy installation – compact modular fixture attaches onto existing Champ mounting module
- ▶ Energy-efficient – up to 85% reduction in energy used
- ▶ Provides up to 55,000 hours rated life – eliminates need for frequent lamp replacement
- ▶ Contains no mercury or other hazardous substances
- ▶ Shock- and vibration-resistant solid-state luminaires have no filaments or glass components that could break – greatly reduces the risk of premature failure
- ▶ Operating ambient -30°C to 55°C



Optimal Heat Radiation performance

Copper-free aluminium, powder coated surface
 Industrial aluminium alloy enclosure, high performance of anti-impact. Can endure 10J impact.
 Copper-Free Aluminum enclosure, anti-corrosion. Suitable for different application.
 LED clung to the enclosure which make heat dissipation fast. Lower the junction Temp.



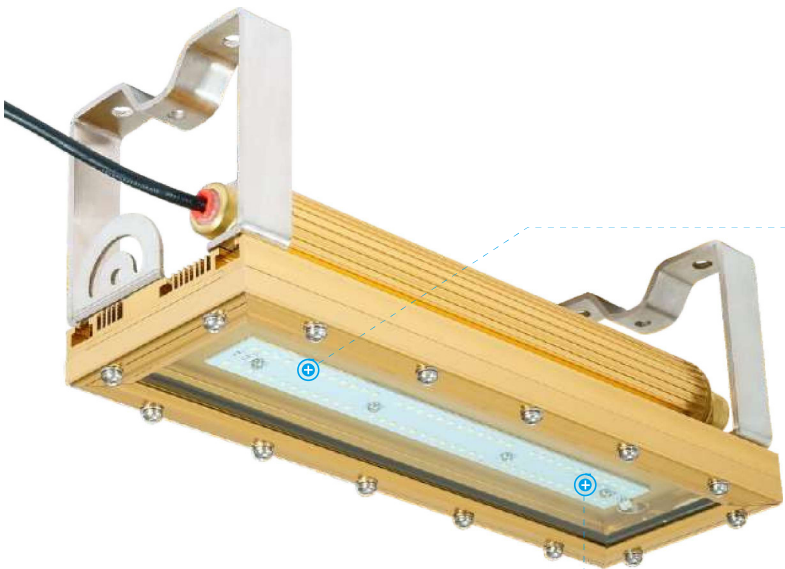
LED Explosion-proof Lighting

Ramams LED Explosion-proof Light Efficacy > 130 lm/W

PHILIPS

High CRI & Light performance

PHILIPS SMD3030 LEDs are illumination grade LEDs designed to enable outdoor and industrial applications optimized either for high efficiency or low cost. A series of tests have done to ensure the high light performance and reliability of LEDs. Also ensure the color consistency and uniformity of the light.



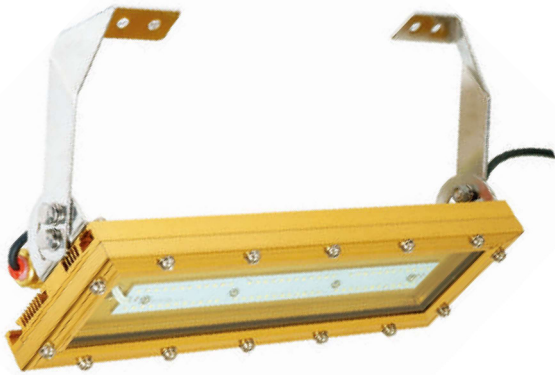
Shock- and vibration-resistant- tempered glass, reduces the risk of premature failure. Anti-glare. reduces glare in applications where the user may have direct visual contact with the light source. available 120° illuminated angle.



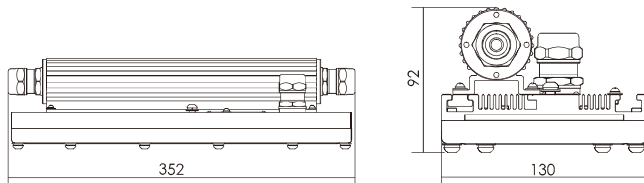
LED Explosion-proof light
20W



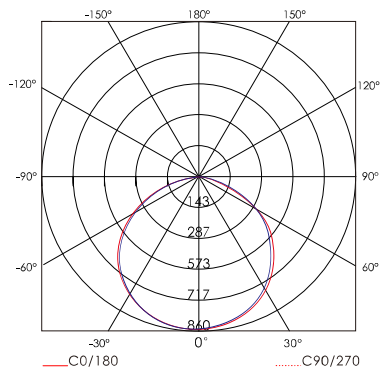
LED Explosion-proof Lighting



DIMENSIONS



LIGHT DISTRIBUTION CURVE



KEY DATA

Power	20W
Luminous Flux	2660lm
Colour Temperature	3000K/4000K/6500K
IP Rating	IP 68
Dimensions	345x130x92mm
Warranty	5 Years Extended

Part Number 3000K	CL-EP-130-20W-01-WW
Part Number 4000K	CL-EP-130-20W-01-NW
Part Number 6500K	CL-EP-130-20W-01-CW

TECHNICAL SPECIFICATIONS

Input Voltage	100~277V AC
Power Factor	>0.95
Warm white(2700-3000K)	2200lm
Natural white(4000-4500K)	2400lm
Cold white(5800-6500K)	2660lm
LED Manufacturer	PHILIPS
LED Type	SMD3030
No. of LEDs	48
Luminous Efficacy	130lm/W
Driver Manufacturer	Lifud/Moso/Meanwell
Total Circuit Power(W)	20W+/-5%
Electrical Class	II
Colour Rendering	>80 CRI
Lamp Viewing Angle	120°
Dimmable(option)	Dali/0-10V
Operating Temp.	-40°C to +50°C
Lifespan	55,000 Hours
Diffuser Material	Tempered glass
Housing Material	Aluminium
Mounting	Clamp, Surface, Bracket, Nondestructive Mount
Weight	29Kg

Application



Onshore oil rig



Oil storage tanks



Offshore oil rig



Chemical Plant



Mine



Gasoline station

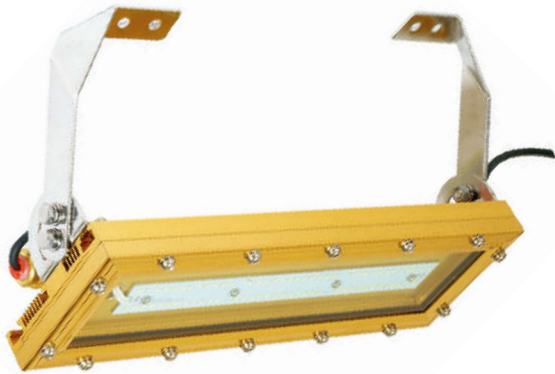


www.migdal-or.org

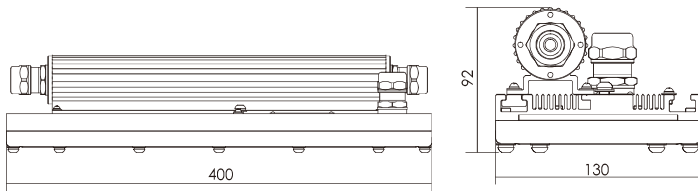
LED Explosion-proof light
40W



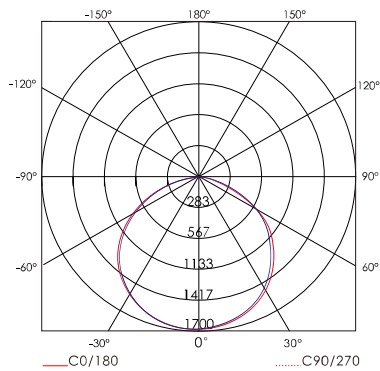
LED Explosion-proof Lighting



DIMENSIONS



LIGHT DISTRIBUTION CURVE



KEY DATA

Power	40W
Luminous Flux	5160lm
Colour Temperature	3000K/4000K/6500K
IP Rating	IP 68
Dimensions	400x130x92mm
Warranty	5 Years Extended

Part Number 3000K	CL-EP-130-40W-01-WW
Part Number 4000K	CL-EP-130-40W-01-NW
Part Number 6500K	CL-EP-130-40W-01-CW

TECHNICAL SPECIFICATIONS

Input Voltage	100~277V AC
Power Factor	>0.95
Warm white(2700-3000K)	4400lm
Natural white(4000-4500K)	4900lm
Cold white(5800-6500K)	5160lm
LED Manufacturer	PHILIPS
LED Type	SMD3030
No. of LEDs	72
Luminous Efficacy	130lm/W
Driver Manufacturer	Lifud/Moso/Meanwell
Total Circuit Power(W)	40W+/-5%
Electrical Class	II
Colour Rendering	>80 CRI
Lamp Viewing Angle	120°
Dimmable(option)	Dali/0-10V
Operating Temp.	-40°C to +50°C
Lifespan	55,000 Hours
Diffuser Material	Tempered glass
Housing Material	Aluminium
Mounting	Clamp, Surface, Bracket, Nondestructive Mount
Weight	29Kg

Application



Onshore oil rig



Oil storage tanks



Offshore oil rig



Chemical Plant



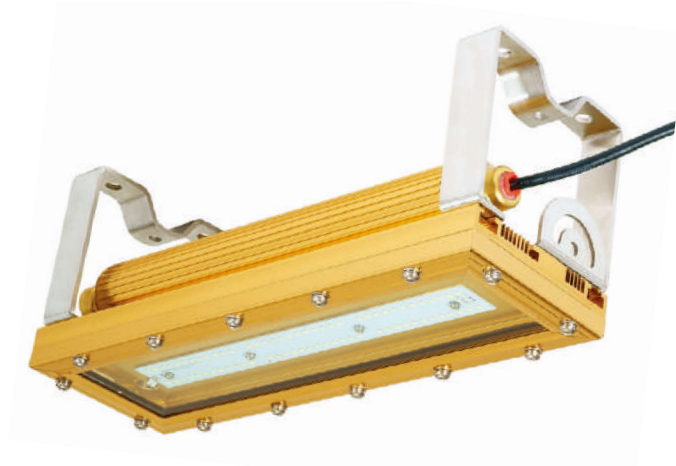
Mine



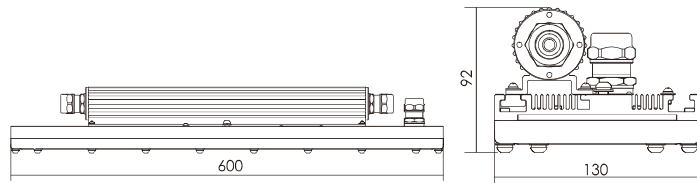
Gasoline station



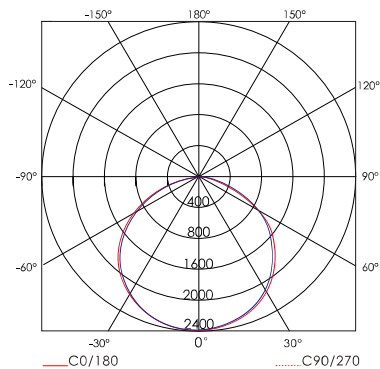
LED Explosion-proof Lighting



DIMENSIONS



LIGHT DISTRIBUTION CURVE



KEY DATA

Power	60W
Luminous Flux	7740lm
Colour Temperature	3000K/4000K/6500K
IP Rating	IP 68
Dimensions	600x130x92mm
Warranty	5 Years Extended

Part Number 3000K	CL-EP-130-60W-01-WW
Part Number 4000K	CL-EP-130-60W-01-NW
Part Number 6500K	CL-EP-130-60W-01-CW

TECHNICAL SPECIFICATIONS

Input Voltage	100~277V AC
Power Factor	>0.95
Warm white(2700-3000K)	6600lm
Natural white(4000-4500K)	7300lm
Cold white(5800-6500K)	7740lm
LED Manufacturer	PHILIPS
LED Type	SMD3030
No. of LEDs	120
Luminous Efficacy	130lm/W
Driver Manufacturer	Lifud/Moso/Meanwell
Total Circuit Power(W)	60W+/-5%
Electrical Class	II
Colour Rendering	>80 CRI
Lamp Viewing Angle	120°
Dimmable(option)	Dali/0-10V
Operating Temp.	-40°C to +50°C
Lifespan	55,000 Hours
Diffuser Material	Tempered glass
Housing Material	Aluminium
Mounting	Clamp, Surface, Bracket, Nondestructive Mount
Weight	29Kg

Application



Onshore oil rig



Oil storage tanks



Offshore oil rig



Chemical Plant



Mine



Gasoline station



www.migdal-or.org

LED Explosion-proof light
80W



LED Explosion-proof Lighting



KEY DATA

Power	80W
Luminou Flux	10400lm
Colour Temperature	3000K/4000K/6500K
IP Rating	IP 68
Dimensions	900x130x92mm
Warranty	5 Years Extended

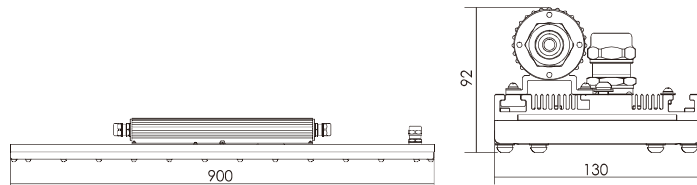
Part Number 3000K	CL-EP-130-80W-01-WW
Part Number 4000K	CL-EP-130-80W-01-NW
Part Number 6500K	CL-EP-130-80W-01-CW

TECHNICAL SPECIFICATIONS

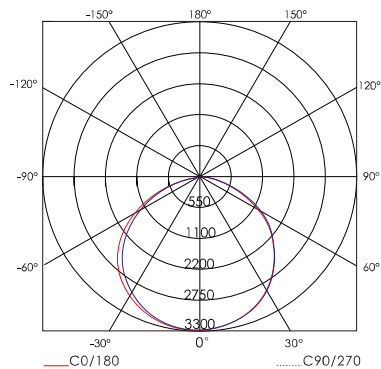
Input Voltage	100~277V AC
Power Factor	>0.95
Warm white(2700-3000K)	8800lm
Natural white(4000-4500K)	9800lm
Cold white(5800-6500K)	10400lm
LED Manufacturer	PHILIPS
LED Type	SMD3030
No. of LEDs	192
Luminous Efficacy	130lm/W
Driver Manufacturer	Lifud/Moso/Meanwell
Total Circuit Power(W)	80W+/-5%
Electrical Class	II
Colour Rendering	>80 CRI
Lamp Viewing Angle	120°
Dimmable(option)	Dali/0-10V
Operating Temp.	-40°C to +50°C
Lifespan	55,000 Hours
Diffuser Material	Tempered glass
Housing Material	Aluminium
Mounting	Clamp, Surface, Bracket, Nondestructive Mount
Weight	29Kg



DIMENSIONS



LIGHT DISTRIBUTION CURVE



Application



Onshore oil rig



Oil storage tanks



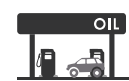
Offshore oil rig



Chemical Plant



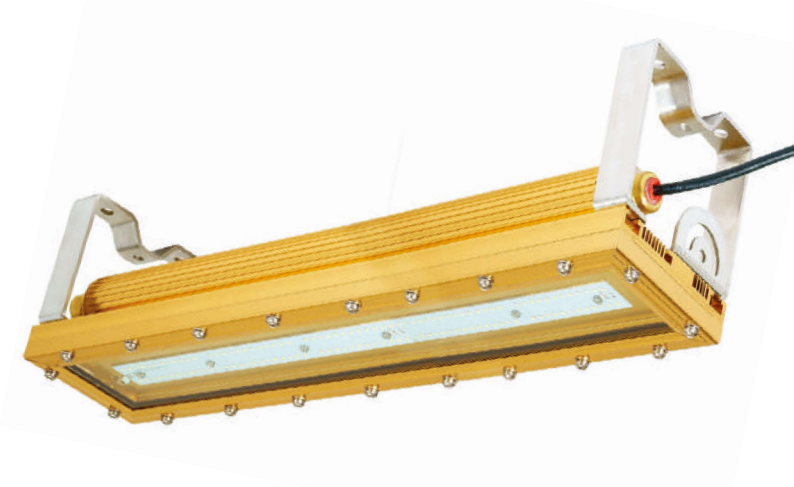
Mine



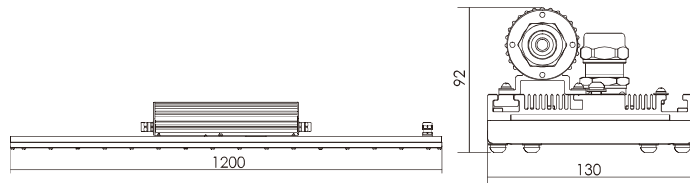
Gasoline station



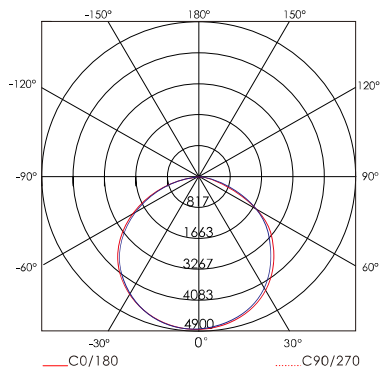
LED Explosion-proof Lighting



DIMENSIONS



LIGHT DISTRIBUTION CURVE



www.migdal-or.org

KEY DATA

Power	120W
Luminou Flux	15600lm
Colour Temperature	3000K/4000K/6500K
IP Rating	IP 68
Dimensions	1200x130x92mm
Warranty	5 Years Extended

Part Number 3000K

CL-EP-130-120W-01-WW

Part Number 4000K

CL-EP-130-120W-01-NW

Part Number 6500K

CL-EP-130-120W-01-CW

TECHNICAL SPECIFICATIONS

Input Voltage	100~277V AC
Power Factor	>0.95
Warm white(2700-3000K)	12600lm
Natural white(4000-4500K)	14000lm
Cold white(5800-6500K)	15600lm
LED Manufacturer	PHILIPS
LED Type	SMD3030
No. of LEDs	264
Luminous Efficacy	130lm/W
Driver Manufacturer	Lifud/Moso/Meanwell
Total Circuit Power(W)	120W+/-5%
Electrical Class	II
Colour Rendering	>80 CRI
Lamp Viewing Angle	120°
Dimmable(option)	Dali/0-10V
Operating Temp.	-40°C to +50°C
Lifespan	55,000 Hours
Diffuser Material	Tempered glass
Housing Material	Aluminium
Mounting	Clamp, Surface, Bracket, Nondestructive Mount
Weight	29Kg

Application



Onshore oil rig



Oil storage tanks



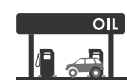
Offshore oil rig



Chemical Plant



Mine



Gasoline station